

**LOZOVA**  **MACHINERY**

# **CHERVONETS**

**SEEDBED CULTIVATOR**

*A perfect seedbed for a successful  
growth of plants*



***Money works!***

  
**LKMZ**

A seedbed cultivator **CHERVONETS** creates a perfect seedbed for a successful growth of plants. Tilled soil shall be leveled and loosened simultaneously across the entire depth of tillage.

As an efficient unit for work on small and large areas, the **CHERVONETS** multipurpose cultivator is a diversified, conventional implement for seedbed preparation. Covering of liquid and solid manure, light stubble tillage, the second stubble breaking or couch grass control do not present a problem for the **CHERVONETS** at all.



Application of S-shaped spring tine in soil-tilling units creates favorable conditions for optimal water and air level in soil. Elastic deformation of this tine leads to oscillatory movement of leg in soil. These legs vibrate both in longitudinal and lateral directions and with minimum height movement.

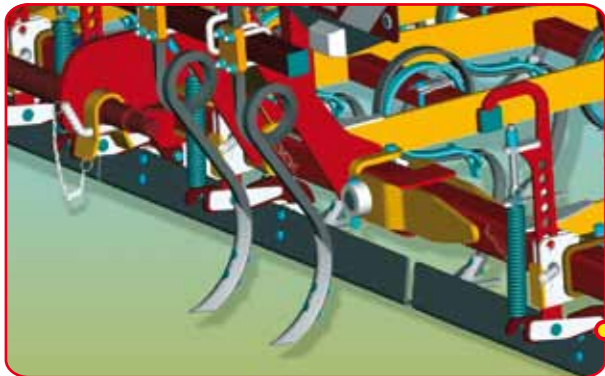
This provides strict observance of the required depth of tillage, increases quality of soil crumbling, decreases draft force and leads to the prevention of working tool blocking with soil and plant residues. Distance of 125 mm between the working elements provides high quality of soil tillage along the whole working width of the unit.



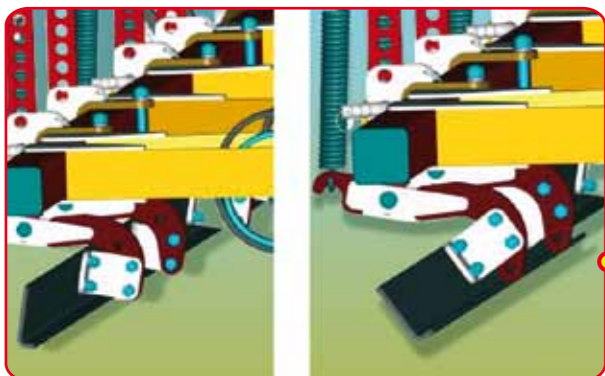
● Easy transfer to transport position and backwards

**NEW 2014**

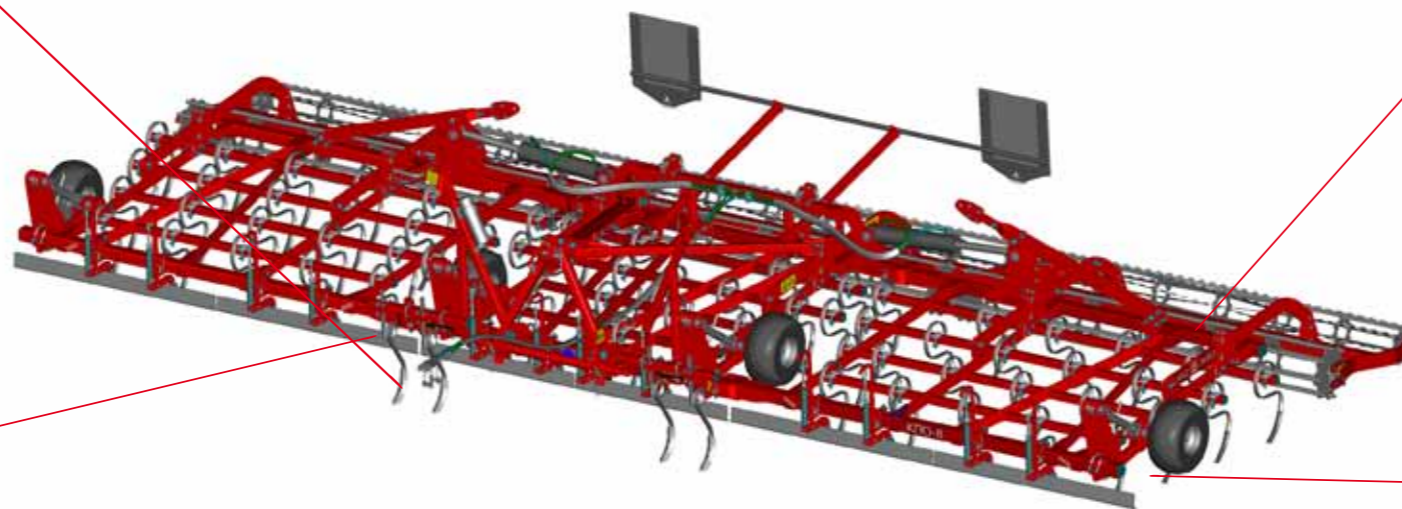
# CHERVONETS



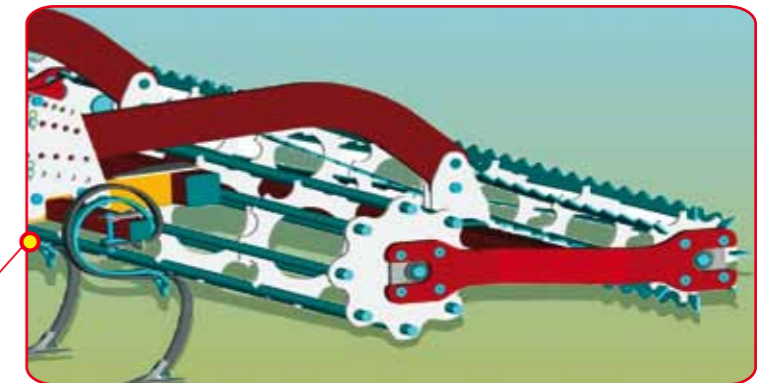
● Teeth for loosening of wheeltracks. For loosening of tractor wheeltracks **CHERVONETS-8** is equipped with spring teeth, which can be adjusted according to height and width of wheeltracks.



● On medium and heavy soils the multipurpose sprung bar is fixed with backward tilt toward the implement. Therefore, all soil irregularities can be reliably eliminated in one pass. Springs protect the bar from damages. On light soils the multipurpose sprung bar is fixed with forward tilt toward the tractor. Therefore, this bar cultivates less soil and cultivator has less resistance.



● Cultivated soil shall be levelled and loosened simultaneously along the whole depth of cultivation. This is provided with rollers of the seedbed cultivator, which perform uniform consolidation to the depth of seeds packing.



● Tilting suspension of double tooth rollers (front roller – 330 mm, rear roller – 270 mm), roller geometry and position of the rear roller with its shift in relation to the front roller provide uniform load distribution for optimum crumbling and levelling of soil.

● Easy control with fingers of working depth for working elements considerably decreases time for adjustment and increases the unit productivity.



● For a smooth running on any soil types we offer tines, both with sprung units or without them. Working elements: wing share, duck foot, wedge-shaped reversible tip.

## Basic technical characteristics

Working width - **8 m**

Depth of processing - **3 -15 cm**

Distance between legs in plan view - **125 mm**

Soil crumbling, min. - **80 %**  
(max. size of clods is 25 mm)

Operating speed **15 km/h**

Total weight - **2500 kg**

Tractor required power - from **130 hp**

Efficiency **12 ha/h**

Ridgeness of field surface - up to **3 cm**

# AGRICULTURAL MACHINERY



**LIRA**  
Hydraulic Spring-Tooth Wide Level Harrows



**REAL**  
Units for Spreading of Plant Protecting Agents and Liquid Mineral Fertilizers



**DUCAT**  
Compact Disc Harrows



**SHILLING**  
Stubble Cultivators



**THALER**  
System Carriers



**CROWN**  
No-Till Units



**POUND**  
Land Rollers



**CHERVONETS**  
Seedbed Cultivators



**ZLATNIK**  
No-Till Seed Drills

## SPARE PARTS FOR AGRICULTURAL MACHINERY

A wide range of spare parts for the whole product line of machinery manufactured by LKMZ is always available in stock:

- spring teeth
- bearing units
- discs and working elements
- rubber components for the Real sprayer
- tines and coulters
- and other consumables

## BEARINGS FOR AGRICULTURAL MACHINERY

Bearings and bearing units manufactured by the Kharkov Bearing Plant (HARP)

UPEC TRADING  
4, Marshal Batitskiy Str.  
Kharkov, 61038, Ukraine  
phone: +38 057 738 10 14  
fax: +38 057 738 10 43  
agro@upec-trading.com

[www.agro.upec.ua](http://www.agro.upec.ua)

[www.lkmz.com](http://www.lkmz.com)

